

PureLine Truffle Brown
30" Convection Oven

H 6880 BP HVBR



PureLine 30" Convection Oven

H 6880 BP HVBR



H 6880 BP HVBR

Features:

- M Touch controls are both easy to operate and navigate. An intuitive swipe of the screen will quickly lead you to your desired selection
- Self Clean Oven
- 19 Operating Modes including Moisture Plus (plumbed only) increases the humidity in the oven optimizing the cooking of a variety of foods
- MasterChef Plus — fully functional automatic programs to create 15 different types of bread at home
- MasterChef menu offers over 100 food types to cook to perfection
- Wireless Roast Probe for safe, easy handling and perfect roasting results
- Favorites — up to 20 recipes
- Sabbath Program
- CleanGlass Door
- TwinPower Fans provide optimum and even distribution of hot air
- Soft Open and Soft Close for easier handling
- The simple yet sleek Silhouette handle seems to float enhancing its modern design lines

SPECIFICATIONS

H 6880 BP HVBR — Item 22688003USA

Overall Unit Width - Excluding Fascia Dimension	28 ⁷ / ₁₆ " (722 mm)
Overall Unit Height - Excluding Fascia Dimension	27 ³ / ₄ " (705 mm)
Overall Unit Depth- Excluding Fascia Dimension	23 ³ / ₄ " (603 mm)
Oven Door Clearance	22" (558 mm)
Overall Fascia Dimensions	29 ¹³ / ₁₆ " (757 mm) W x 28 ⁵ / ₈ " (727 mm) H x 7 ⁷ / ₈ " (22mm) D
Built-In	
Minimum Cabinet Opening Width	28 ¹ / ₂ " (724 mm)
Minimum Cabinet Opening Depth	24" (610 mm)
Minimum Cabinet Opening Height	28 ¹ / ₄ " (718 mm)
Minimum Base Support	250 lbs (113 kg)
Additional Cut-outs Required	Cut-out 4" x 28" (100 cm x 720 cm) in the bottom of the cabinet for power cord and ventilation
Plumbing	
Water Supply Requirements	Connect to a cold water supply only. Must be connected to a shut-off valve. The water shut-off valve must be accessible after installation. The water pressure must be between 14.5 psi (1 bar) and may not exceed 145 psi (10 bar). If the pressure is higher than 145 psi (10 bar), a pressure reducing valve must be installed. The supplied hose has a length of 4'11" (1.5 m). The hose must not be shortened. The entire hose length must not exceed 24'7" (7.5 m).
Plumbed Hose Connection	Supplied hose: flexible braided 4'11" (1.5 m) with 3/8" Compression fitting for connection to a shut off valve.
Electrical	
Electrical Requirements	120/240V, 60Hz, 30A 120/208V, 60Hz, 30A
Power Cord	NEMA 14-30 plug, 6 ft (1.8 m)
Shipping	
Shipping Weight	216 lbs (98 kg)
Shipping Dimensions	32 ¹¹ / ₁₆ " W x 35 ¹ / ₁₆ " H x 30 ⁵ / ₁₆ " L
Support	
Call Miele	800.843.7231
Miele Website	www.mieleusa.com
20/20 Link	2020technologies.com

HANDLE SPECIFICATIONS

<p>Comfort Handle: Optional with ContourLine (DS 6708 Item #09828380)</p>	<p>ComfortSwivel Handle: Standard with ContourLine Optional for PureLine (DS 6718 Item # 09828390)</p>
--	---

<p>Silhouette Handle: Standard with Pureline Optional for Contourline (DS 6808 Item # 09828400)</p>	
--	--

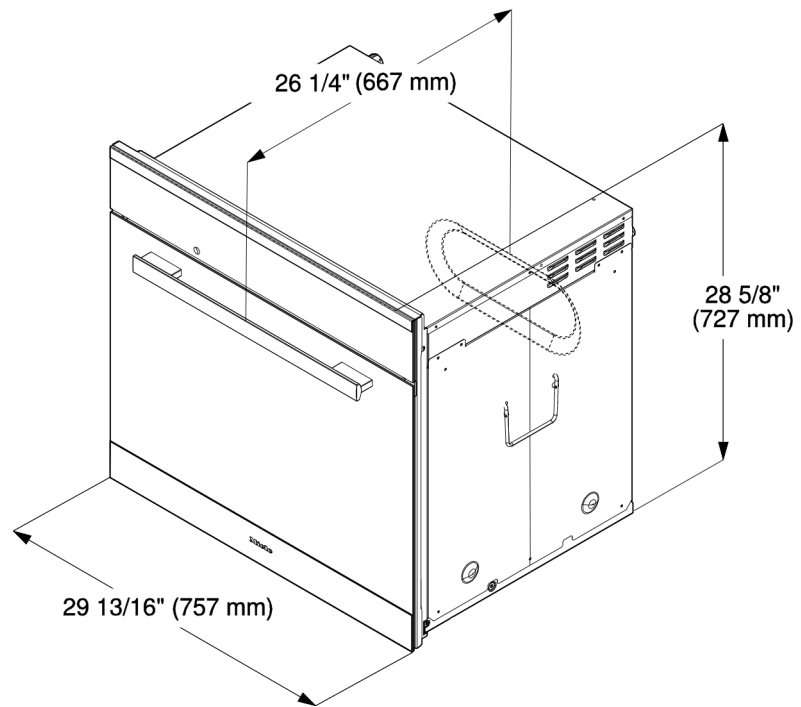
<p>Silhouette Handle (Chrome): Standard with BrilliantWhite (DS 6808 Item # 09828410)</p>	<p>Silhouette Handle: Standard with Truffle Brown (DS 6808 Item # 09870690)</p>
--	--

PureLine 30" Convection Oven H 6880 BP HVBR

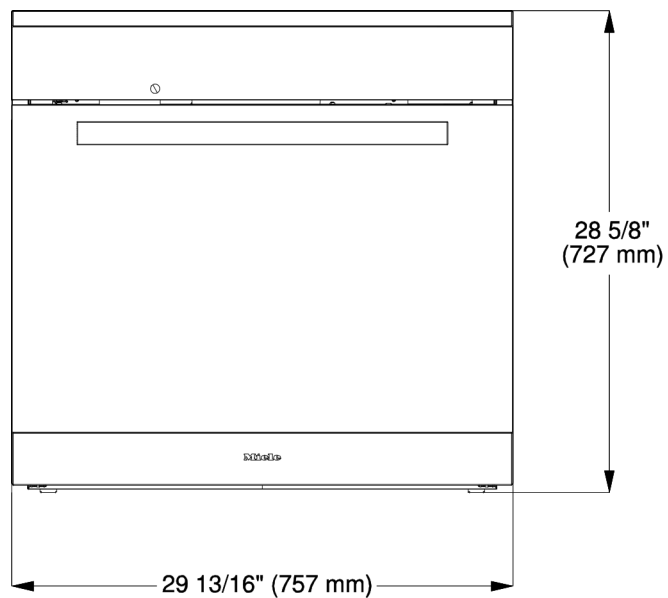


PRODUCT VIEWS

Isometric View



Front View

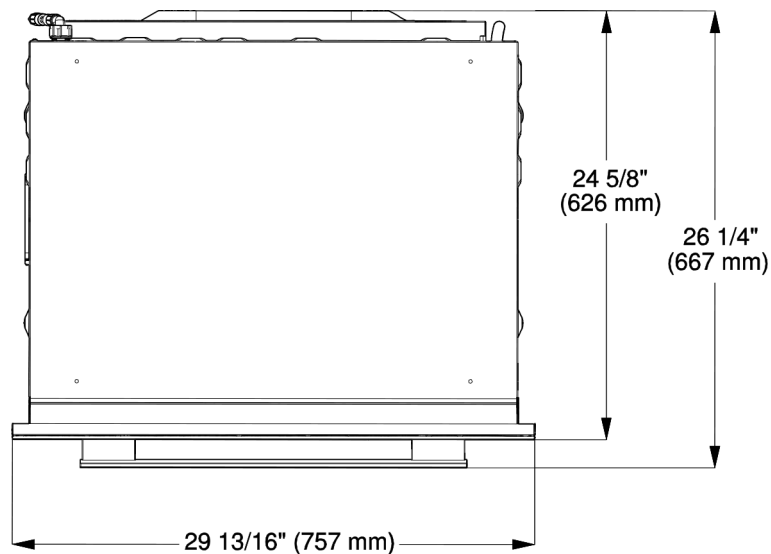


PureLine 30" Convection Oven H 6880 BP HVBR

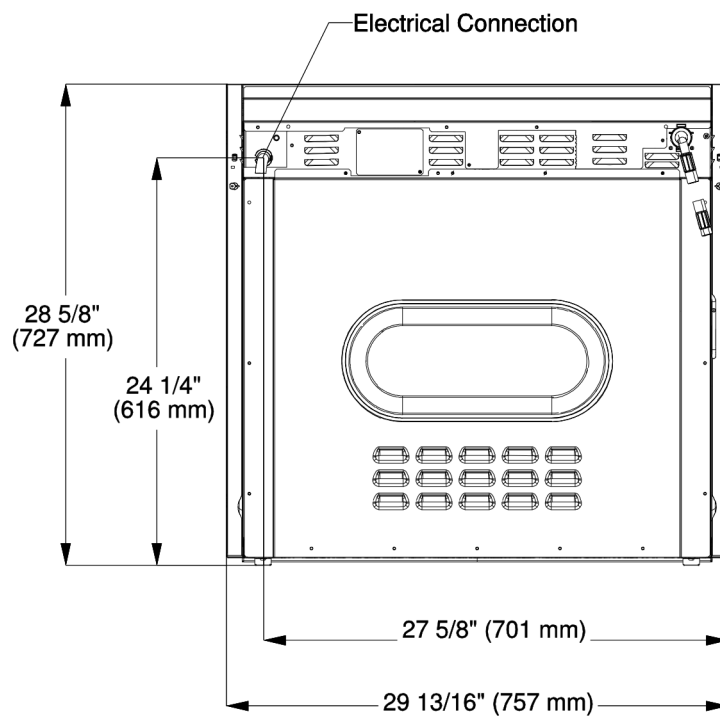


PRODUCT VIEWS

Top View



Rear View

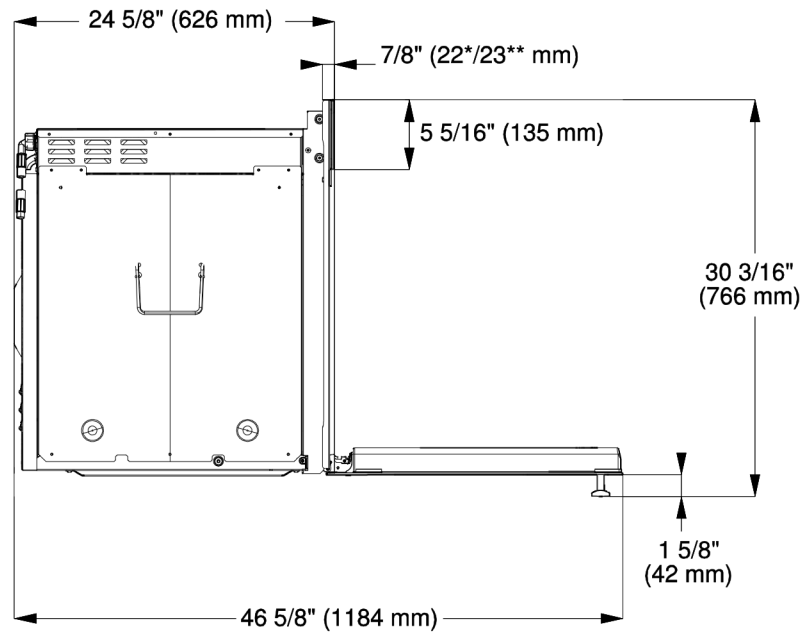


PureLine 30" Convection Oven H 6880 BP HVBR



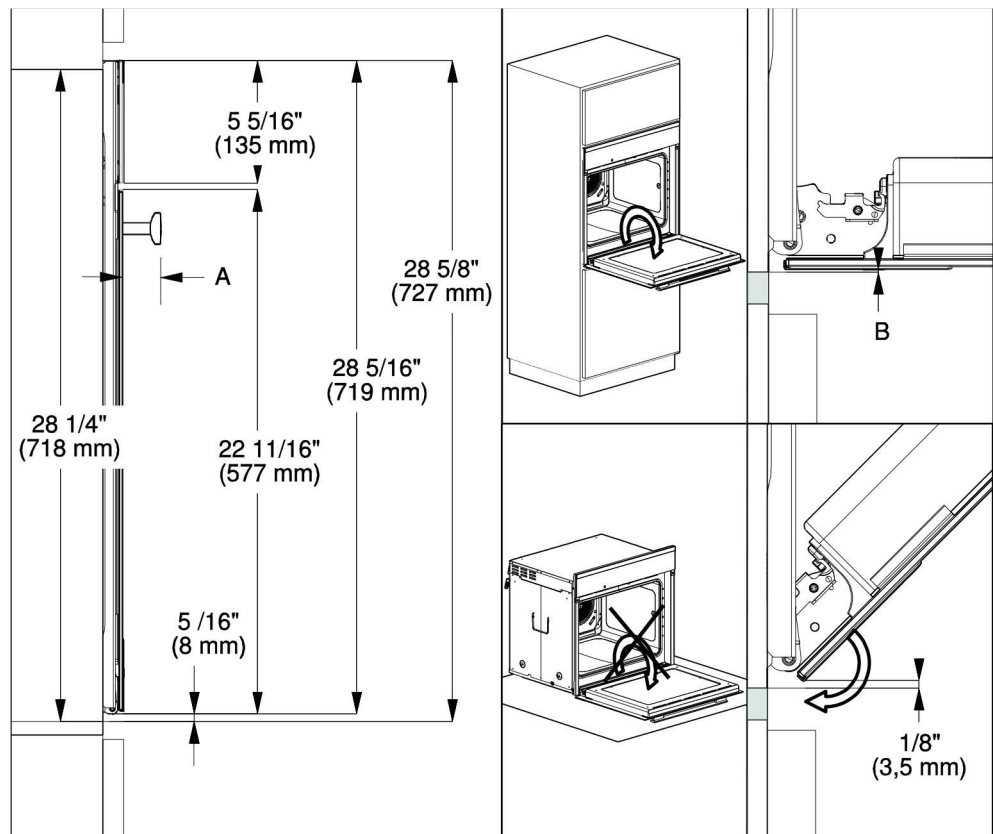
PRODUCT VIEWS

Side View



* Oven with glass front
** Oven with metal front

DOOR SWING DETAILS

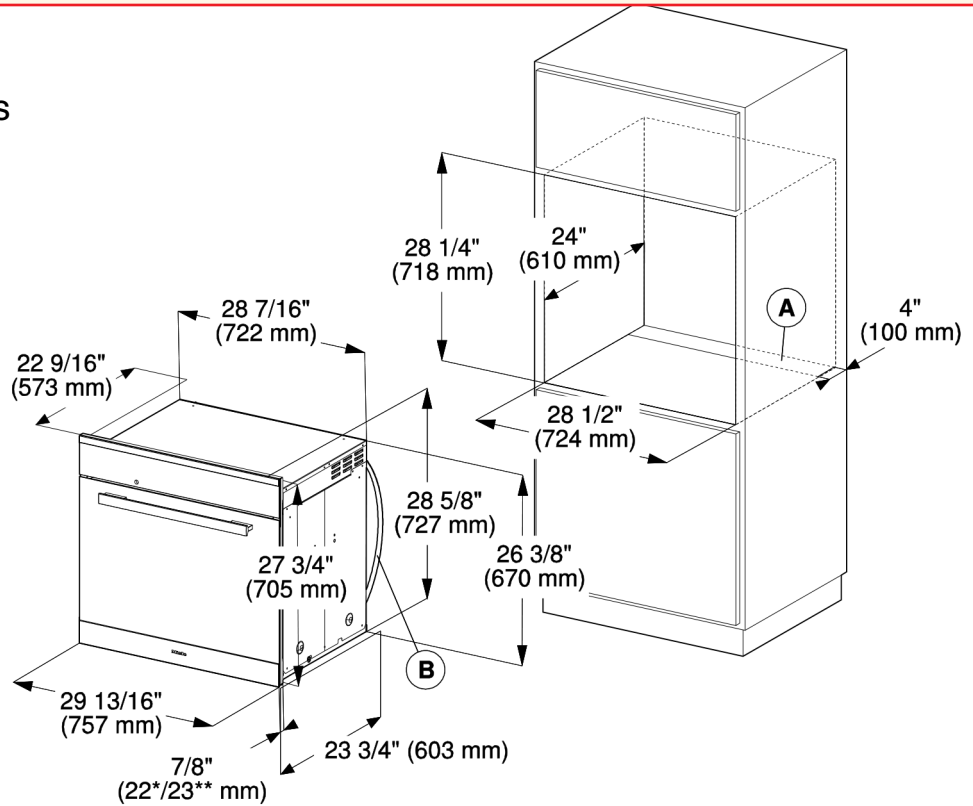


PureLine 30" Convection Oven H 6880 BP HVBR



INSTALLATION SPECIFICATIONS

Install in Tall Niche

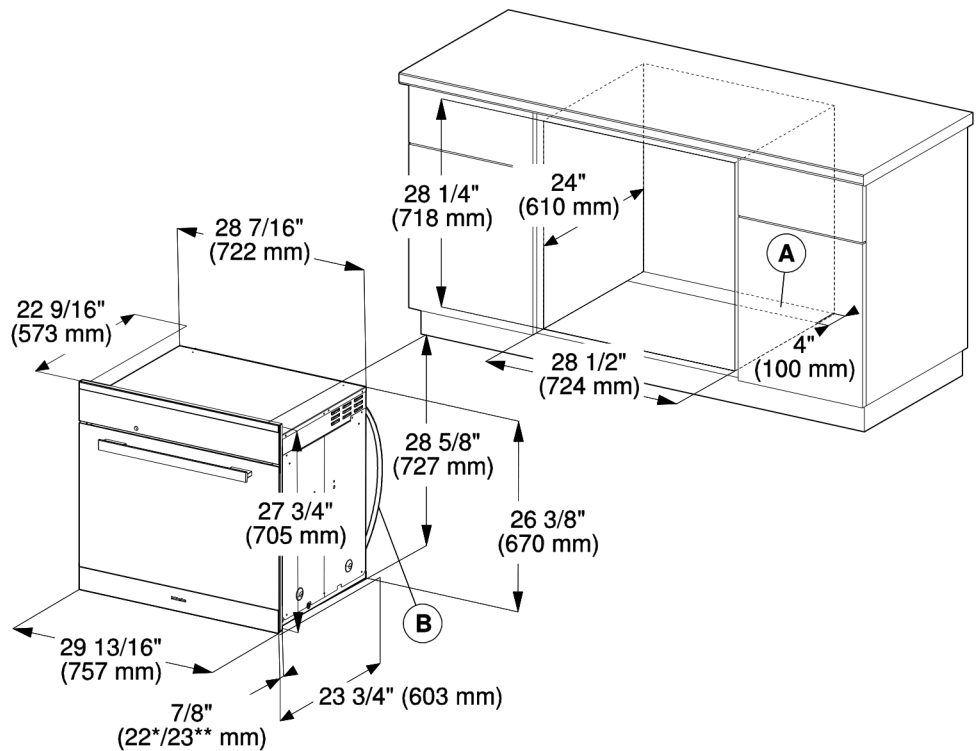


- Ⓐ Cut-out (4" x 28" / 100 mm x 720 mm) in the bottom of the cabinet for power cord and ventilation
- Ⓑ Power cord with plug

* Oven with glass front
** Oven with metal front

INSTALLATION SPECIFICATIONS

Undercounter Installation



- Ⓐ Cut-out (4" x 28" / 100 mm x 720 mm) in the bottom of the cabinet for power cord and ventilation
- Ⓑ Power cord with plug

* Oven with glass front
** Oven with metal front

PureLine 30" Convection Oven H 6880 BP HVBR



Undercounter Installation Front view

